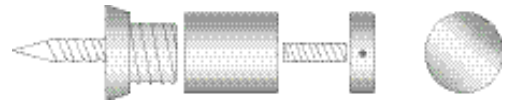
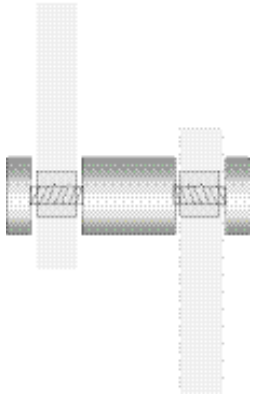


Berlman

H A R D W A R E



Floor and Wall Mounts

Machined from 303 grade, solid stainless steel with brushed finish, these components are strong, offer long life with little or no maintenance and are resistant to corrosion.

The 3 component system consists of a fixing plate, connecting arm with bayonet attachment and panel grip. Components can be interchanged to create support systems for a wide range of applications.

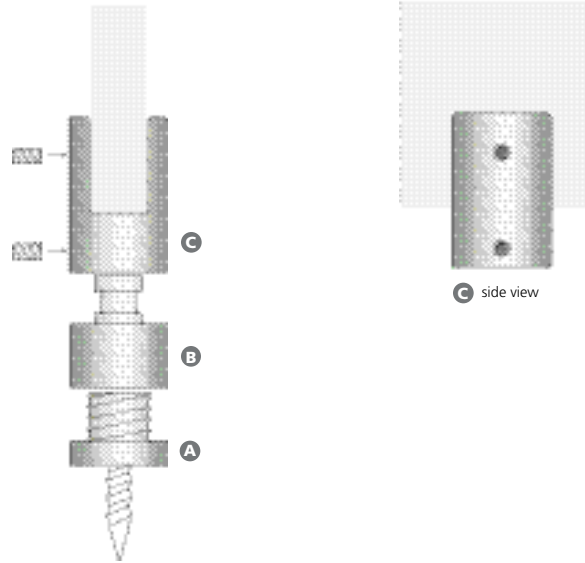
Select diameter and connecting arm length. Options: fixing plate can be oversized for increased stability on drywall (photos below). You will need to select your own fastener to suit the specific site conditions. Fasteners are not included with hardware.

Applications

- Panels
- Shelves
- Signage
- Appliqués



Wall or Floor Mount Panel Straight Grip and Connecting Arm



PARTS TO ORDER FOR ABOVE CONFIGURATION (STOCK SIZES LISTED)

C PANEL GRIP - STRAIGHT

Diameter	Length
1.0"	1.5"
1.25"	37 mm

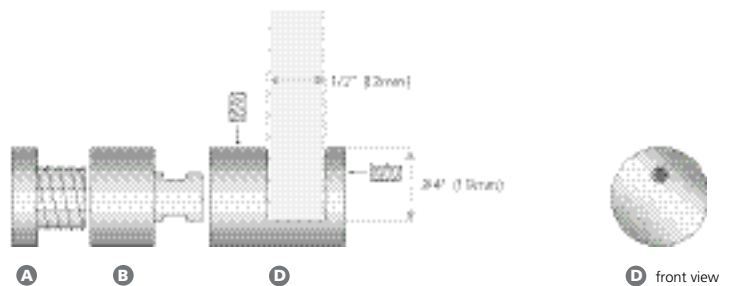
B CONNECTING ARM

Diameter	Length
1.0"	0.5"
1.25"	1.0"
	1.5"
	2.0"
	2.5"
	3.0"
	3.5"
	4.0"

A FIXING PLATE - STRAIGHT

Diameter	Thickness
1.0"	0.25"
1.25"	6 mm

Wall Mount Panel Hook Grip and Connecting Arm



PARTS TO ORDER FOR ABOVE CONFIGURATION (STOCK SIZES LISTED)

A FIXING PLATE - STRAIGHT

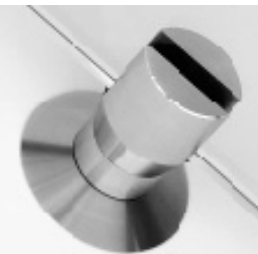
Diameter	Thickness
1.0"	0.25"
1.25"	6 mm

B CONNECTING ARM

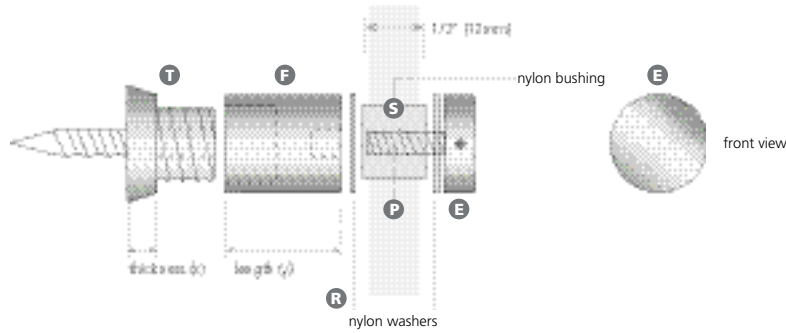
Diameter	Length
1.0"	0.5"
1.25"	1.0"
1.50"	1.5"
	2.0"
	2.5"
	3.0"
	3.5"
	4.0"

D PANEL GRIP HOOK

Diameter	Length
1.0"	1.25"
1.25"	31 mm



Wall Mount Spacer and Button



PARTS TO ORDER FOR ABOVE CONFIGURATION (STOCK SIZES LISTED)

T FIXING PLATE - TAPERED

Diameter	Thickness (x)
1.25"	31 mm
1.5"	37 mm
2.0"	50 mm
2.5"	62 mm

F WALL SPACER

Diameter	Length (y)
1.0"	25 mm
1.25"	31 mm
1.50"	37 mm
	2.0"
	2.5"
	3.0"
	3.5"
	4.0"

E BUTTON

Diameter	Thickness
1.0"	25 mm
1.25"	31 mm
1.50"	37 mm
	0.25"
	6 mm

Socket Set Screw, Washers and Bushings

All wall mount spacer and button hardware, as well as panel connectors, will require socket set screws, nylon washers and bushings. Choose quantity and sizes from table below.



P SOCKET SET SCREW

Diameter	Length
0.25"NC	6 mm
	0.75"
	1.0"
	1.25"
	1.5"

Glass Thickness: Use appropriate Socket Set Screw

12mm glass	1.25" (31mm)
10mm glass	1.0" (25mm)
6mm glass	0.75" (19mm)

R NYLON WASHERS

1/16" thick

Diameter	Thickness
0.5"	12 mm
0.75"	19 mm
1.0"	25 mm
1.25"	31 mm
1.5"	37 mm

S NYLON BUSHING

0.25" (6mm) diameter



Custom hardware also available. Please call

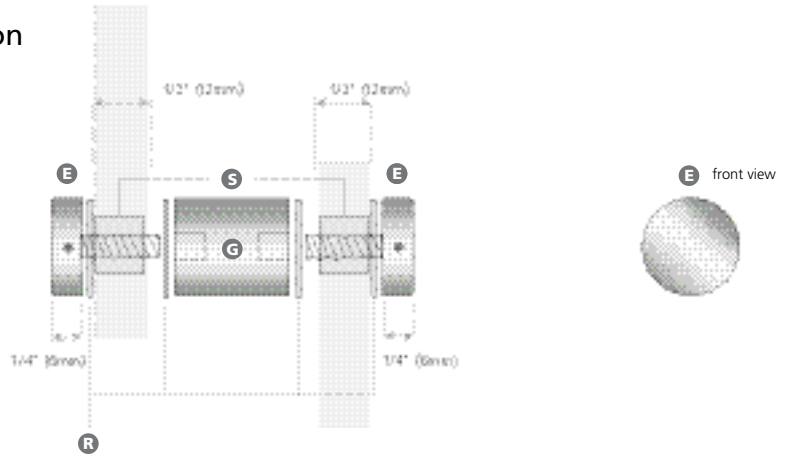
US+Canada 1 888 505 GLASS
UK 00 800 505 45277

Panel to Panel Spacer and Button

Versatile connecting and spacing system for glass panels, balustrades, signage and appliqués. Can be used to connect panels of glass or for mounting panels to a wall with a standoff. Choose button/spacer diameter and spacer length.

Applications

Glass Panels
Balustrades
Signage
Appliqués



PARTS TO ORDER FOR ABOVE CONFIGURATION (STOCK SIZES LISTED)

E BUTTON

Diameter	Thickness
1.0"	0.25"
1.25"	0.25"
1.50"	0.25"

G PANEL SPACER

Diameter	Length
1.0"	0.5"
1.25"	1.0"
1.50"	1.5"
	2.0"
	2.5"
	3.0"
	3.5"
	4.0"



Questions? Call for information

US+Canada 1 888 505 GLASS

UK 00 800 505 45277

How to Order Floor and Wall Mount Hardware

- 1 Determine whether panel will be mounted at a right angle from another surface (i.e.: wall or another panel) or vertically from the floor and ceiling. All standard hardware will hold glass up to 12mm (1/2") thick. For thicker panels, custom hardware will be required. [Call 1-888-505-4527](tel:1-888-505-4527) for more information on custom hardware.
- 2 Choose diameter of **FIXING PLATE (A)**. Use a wider diameter for softer surfaces such as drywall **FIXING PLATE (T)**. You will need to select your own fastener to suit the specific site conditions. Fasteners are not included with hardware. Mounting screws are not supplied with **FIXING PLATES**.
- 3 Select appropriate spacer type, length and diameter. Either a **CONNECTING ARM (B)** or **WALL SPACER (F)** depending on application. A **CONNECTING ARM (B)** is used with the Panel Grip series (C) (D). Wall Spacers are used in conjunction with **BUTTONS (E)** and **PANEL SPACERS (G)**.
- 4 Order appropriate **PANEL GRIP (C)(D)** or **BUTTON (E)** to hold the panel in place.
- 5 Order appropriate **SOCKET SET SCREW (P)**, **NYLON WASHERS (R)** and **NYLON BUSHINGS (S)**. **NYLON BUSHINGS** provided with all glass hardware.

KEY TO PARTS

A	Fixing Plate - Straight
T	Fixing Plate - Tapered
B	Connecting Arm
C	Panel Grip
D	Hook Panel Grip
E	Button
F	Wall Spacer
G	Panel Spacer
P	Socket Set Screw
R	Nylon Washer
S	Nylon Bushing

How to Order Panel Connectors

- 1 Choose diameter of **BUTTONS (E)** and **PANEL SPACERS (G)**.
- 2 Determine width of **PANEL SPACERS (G)**.
- 3 Select appropriate quantity and length of appropriate **SOCKET SET SCREW (P)**, (see chart).



Please photocopy the order sheet from your brochure and fax in your order to: **1-604-684-8373**. Include UPS or Fedex account information for shipping or Visa or Mastercard for payment. Call **1-888-505-4527** to confirm receipt of order and to check on delivery times. Stock items can usually be shipped within 7 days. Custom orders will vary.

